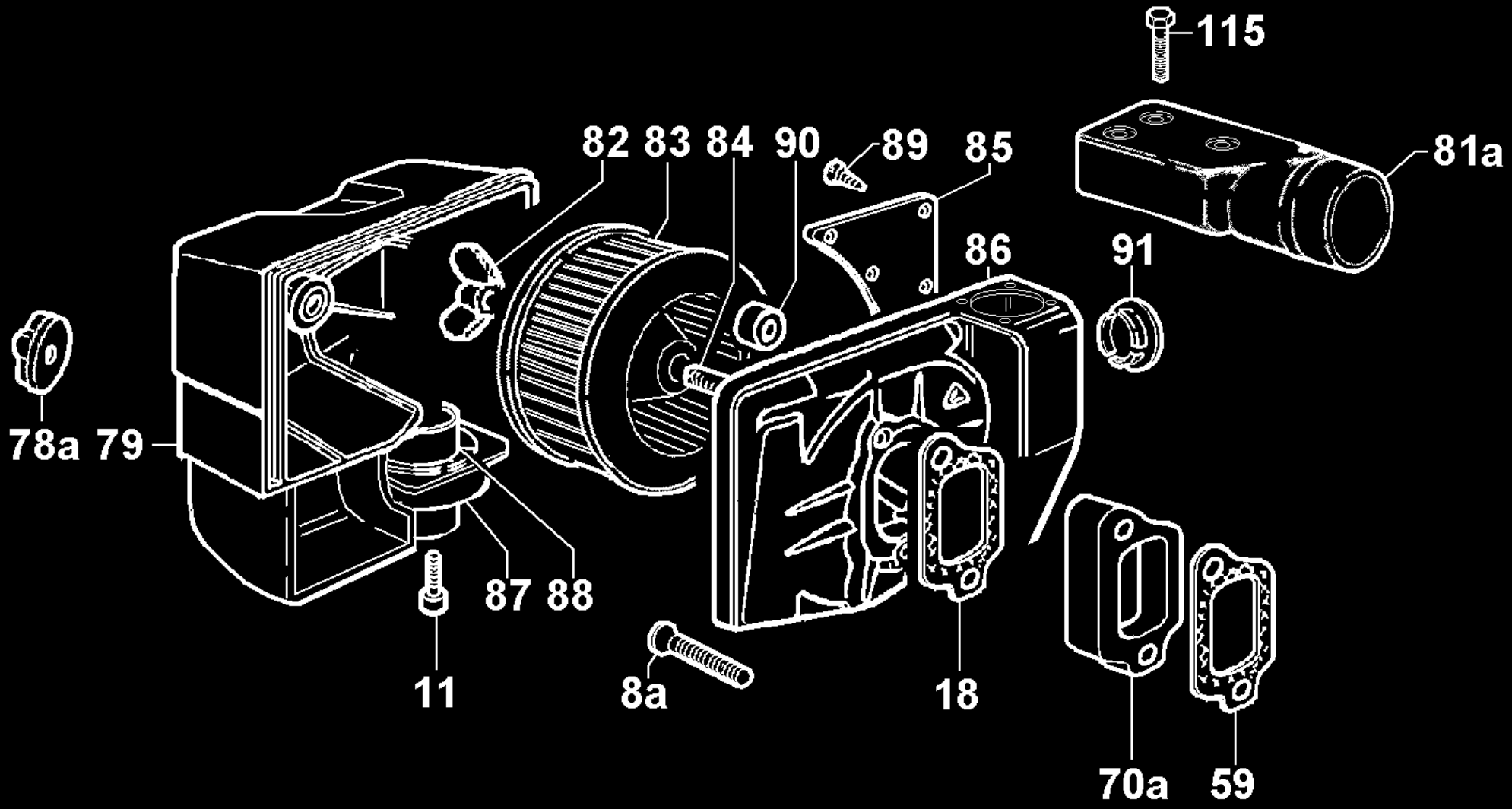


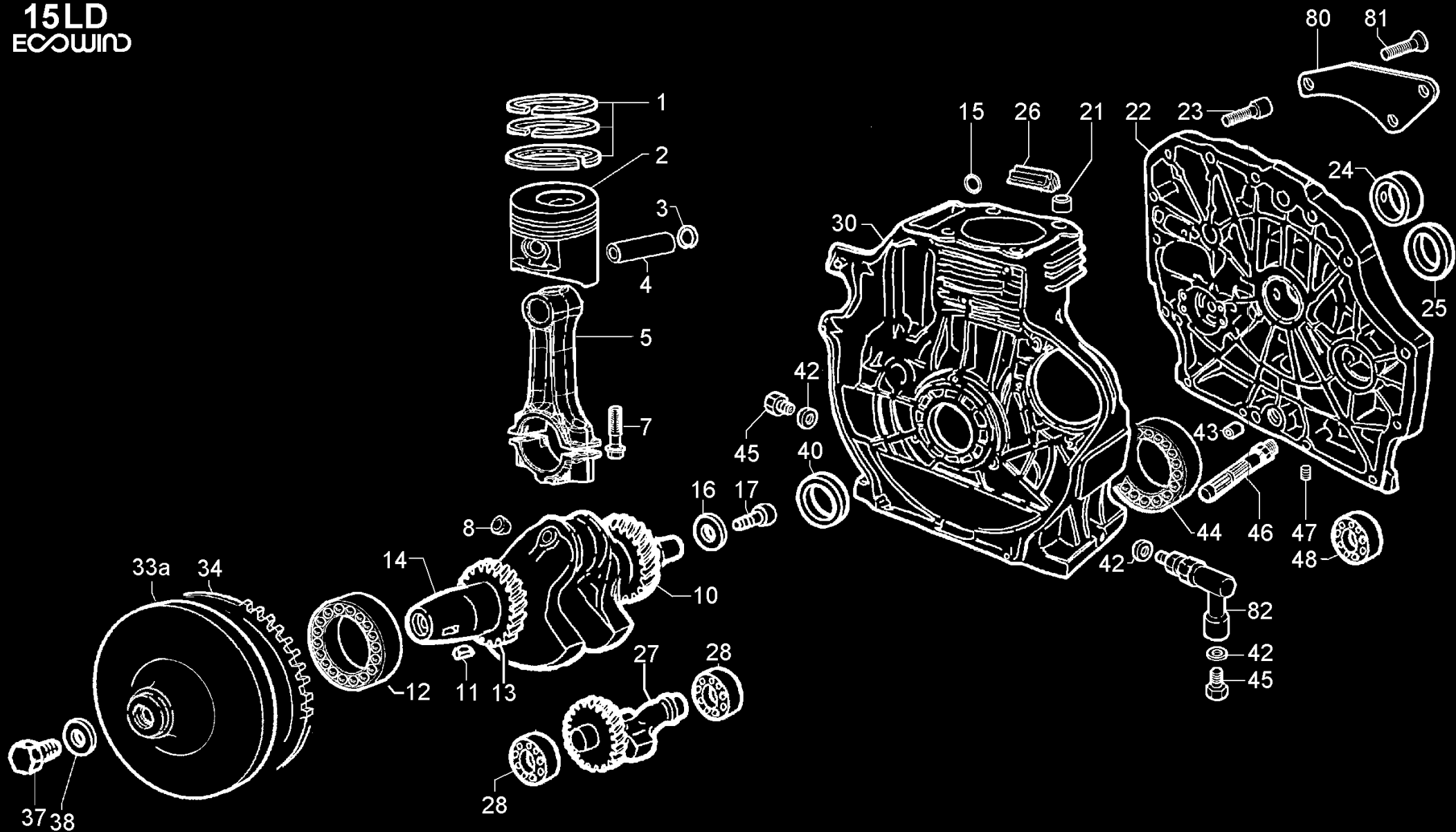
# A

15LD  
EOWIND



# B

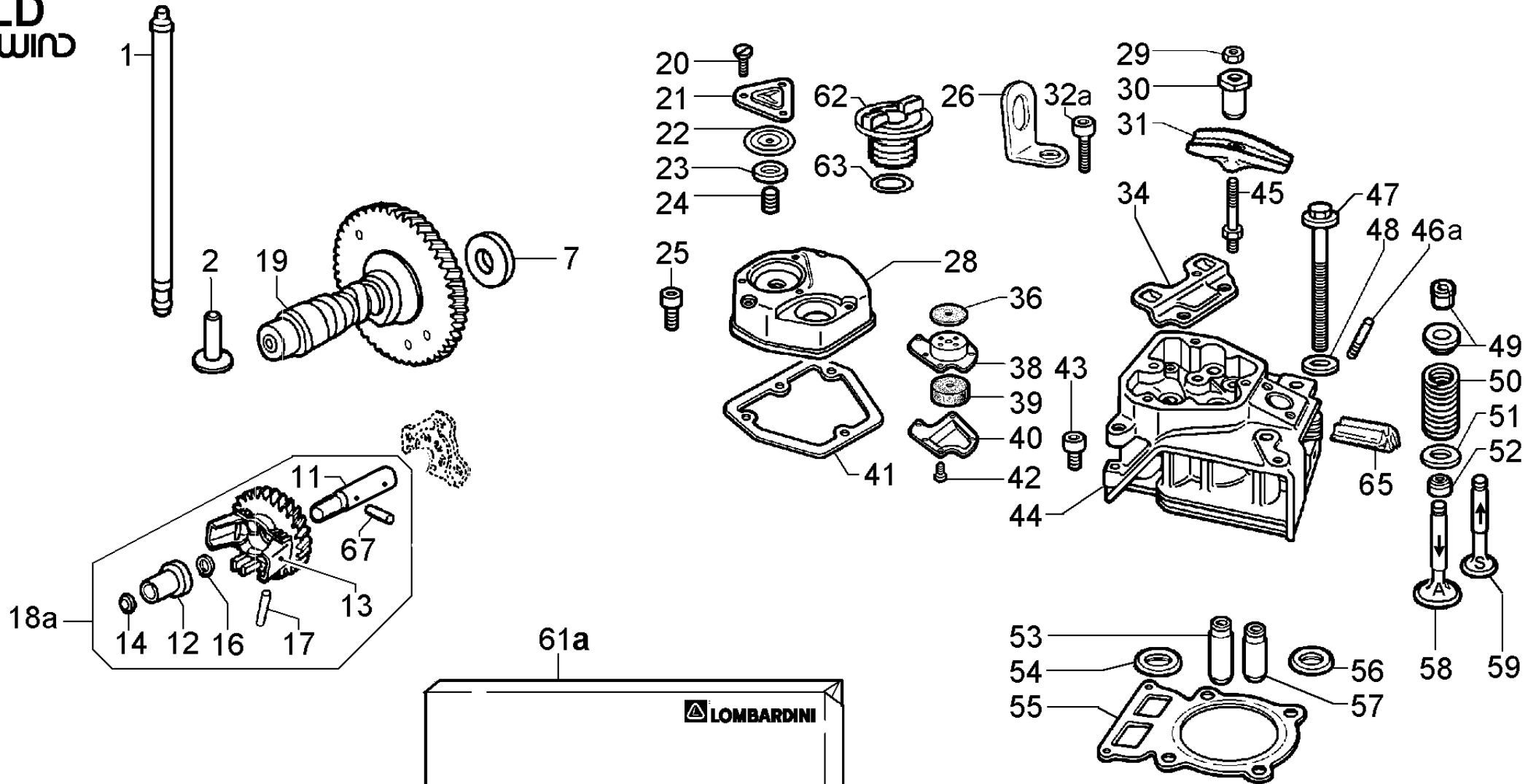
15LD  
EcoWind



# C

## 15LD

### ECOWIND



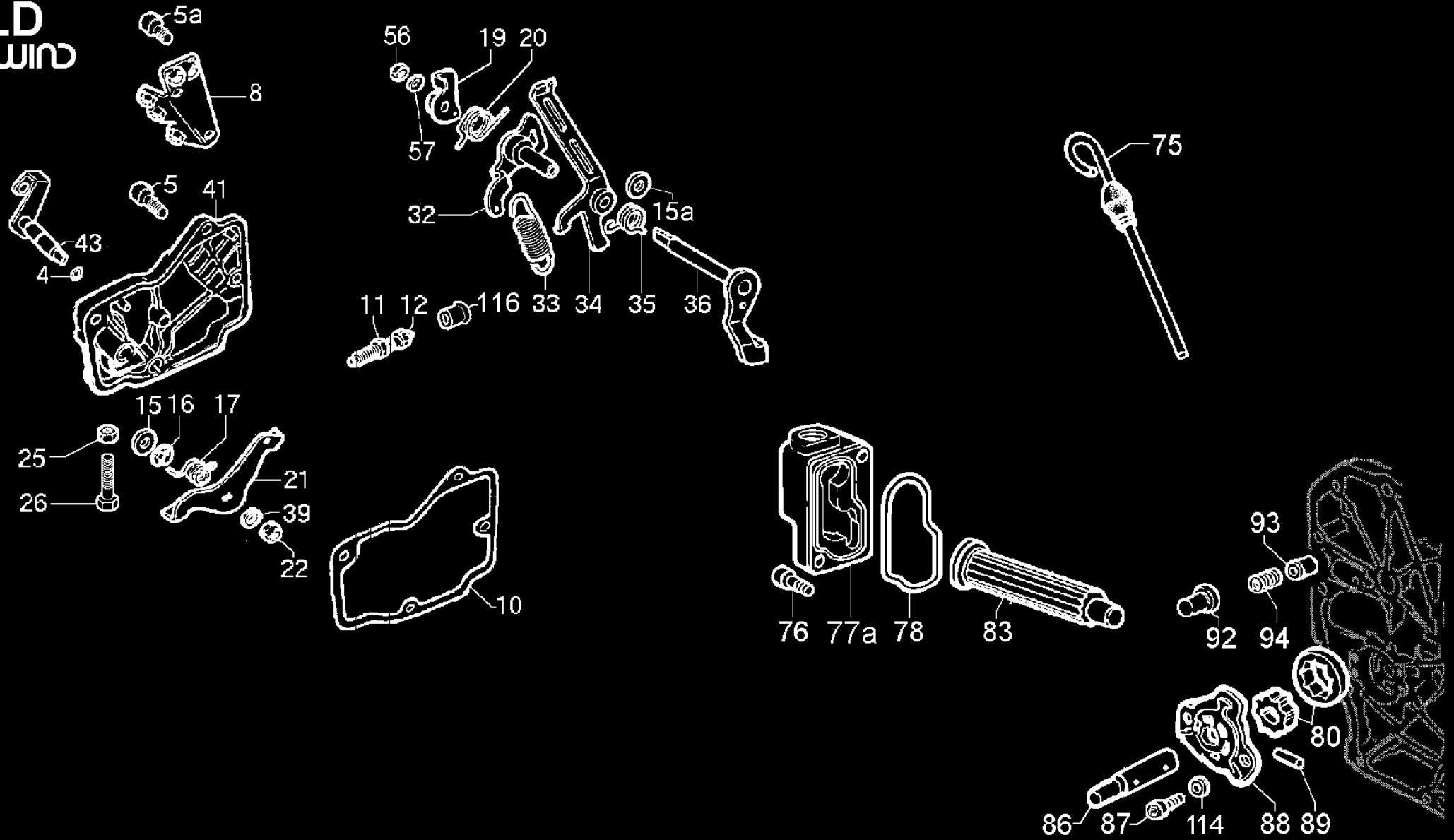
**61a**

**LOMBARDINI**

SERIE COMPLETA ANELLI E GUARNIZIONI  
 JEU DE BAGUES ET JOINTS  
 GASKET AND O-RING SET  
 DICHTUNG-O-RINGSATZ  
 SERIE DE JUNTAS Y DE AROS

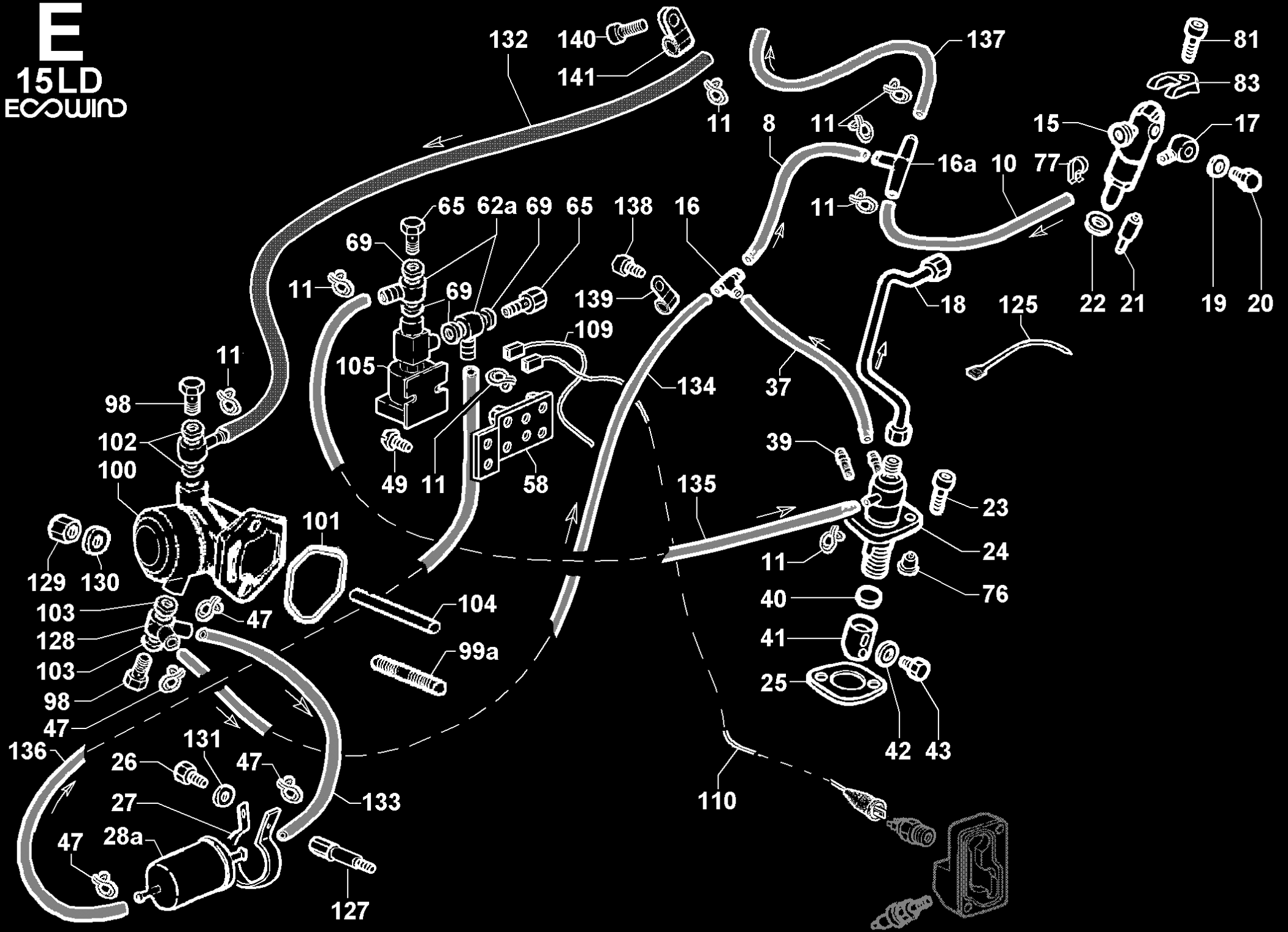
# D

## 15LD ECOWIND



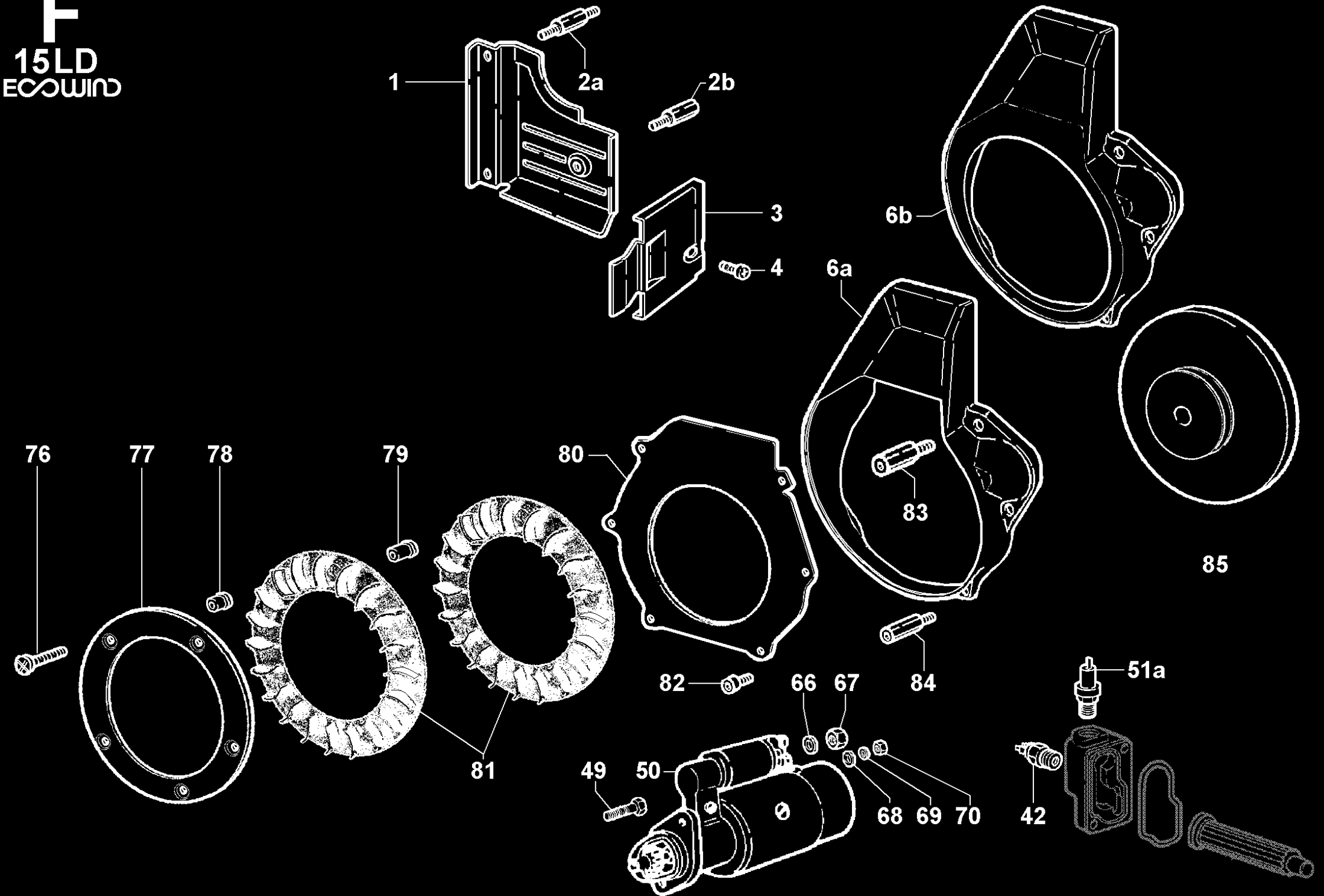
# E

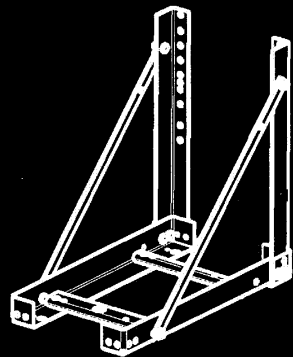
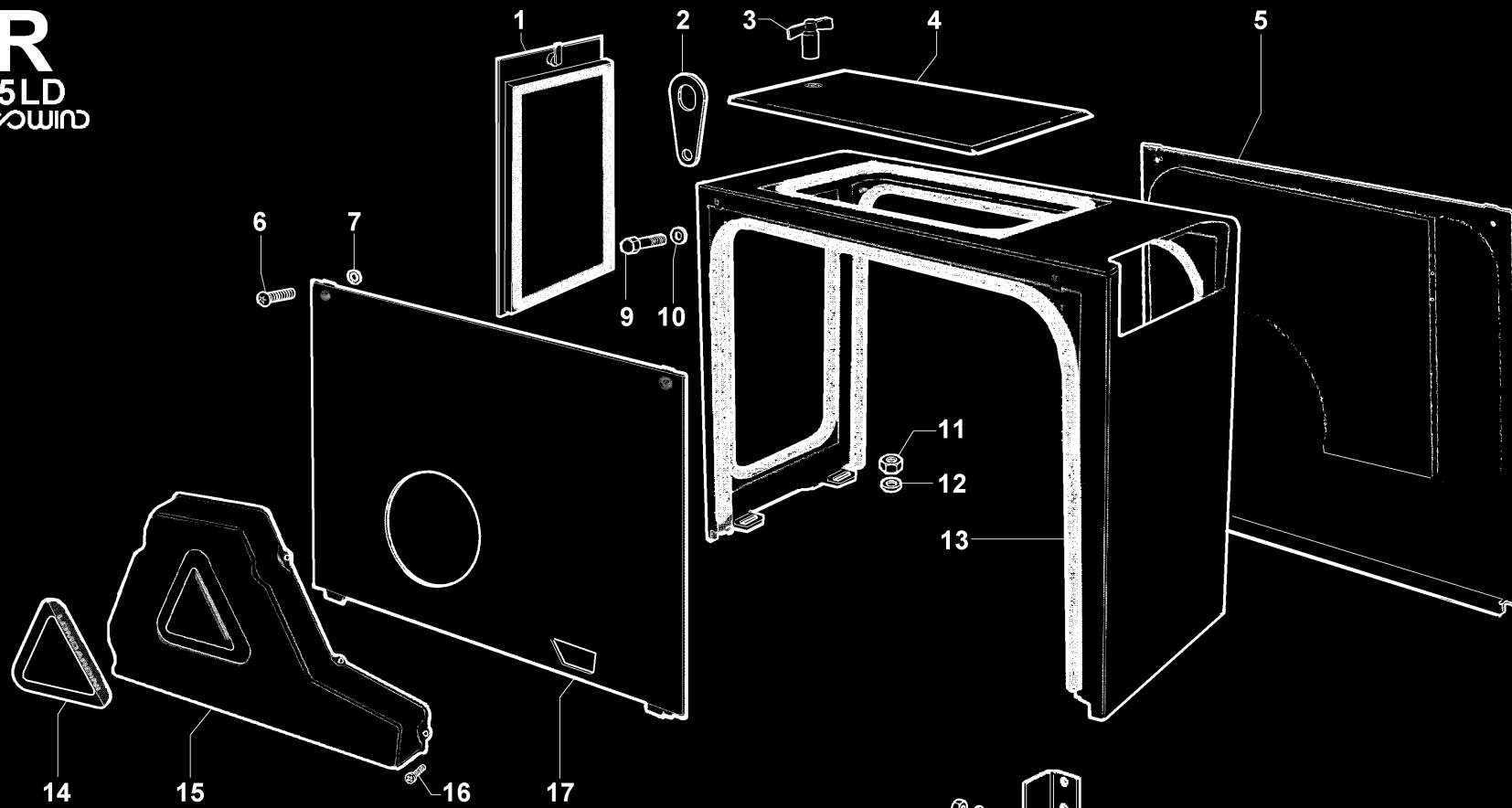
15LD  
ECONO WIND



# F

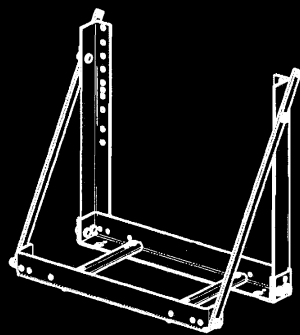
15LD  
ECOWIND





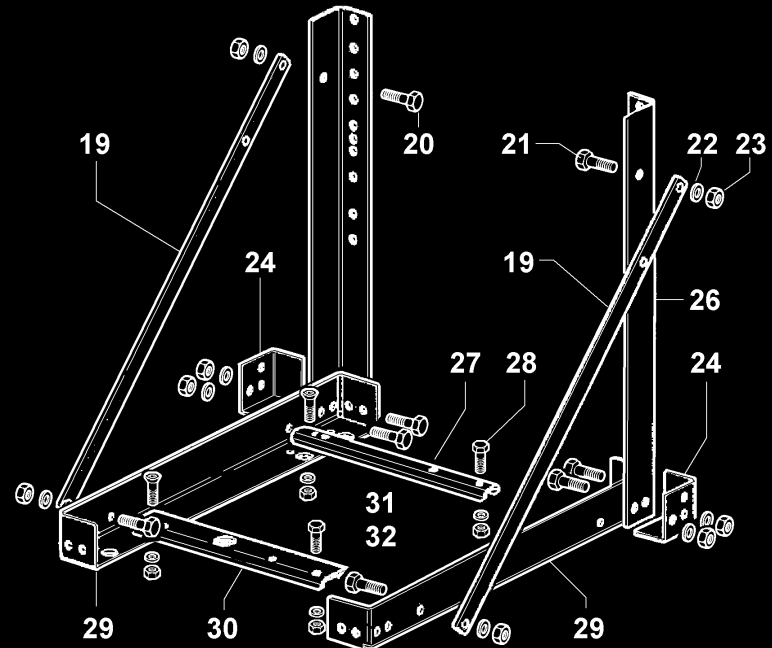
montaggio perpendicolare al  
senso di marcia  
perpendicular assembly to  
the march direction

18



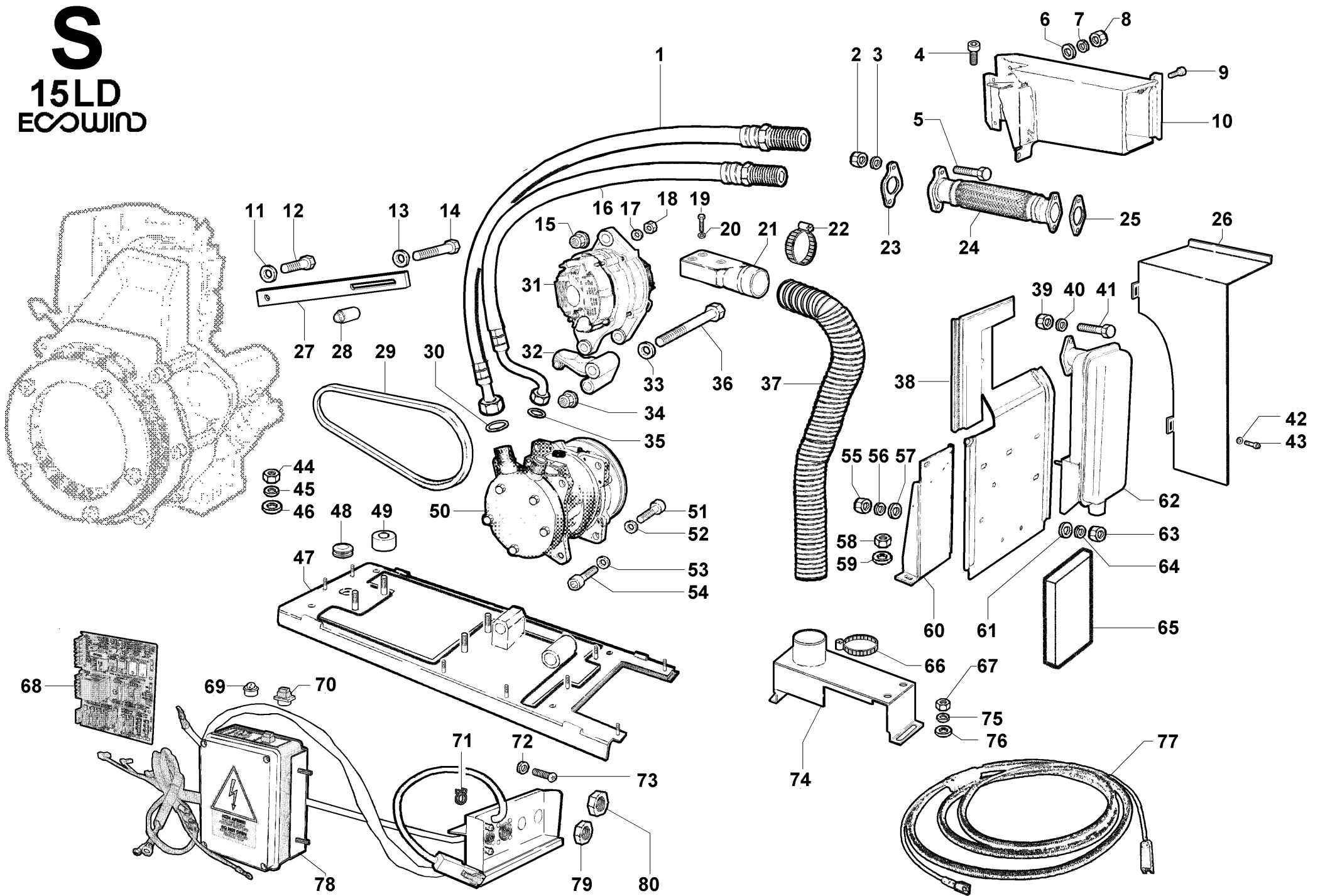
montaggio parallelo al senso  
di marcia  
parallel assembly to the march  
direction

18



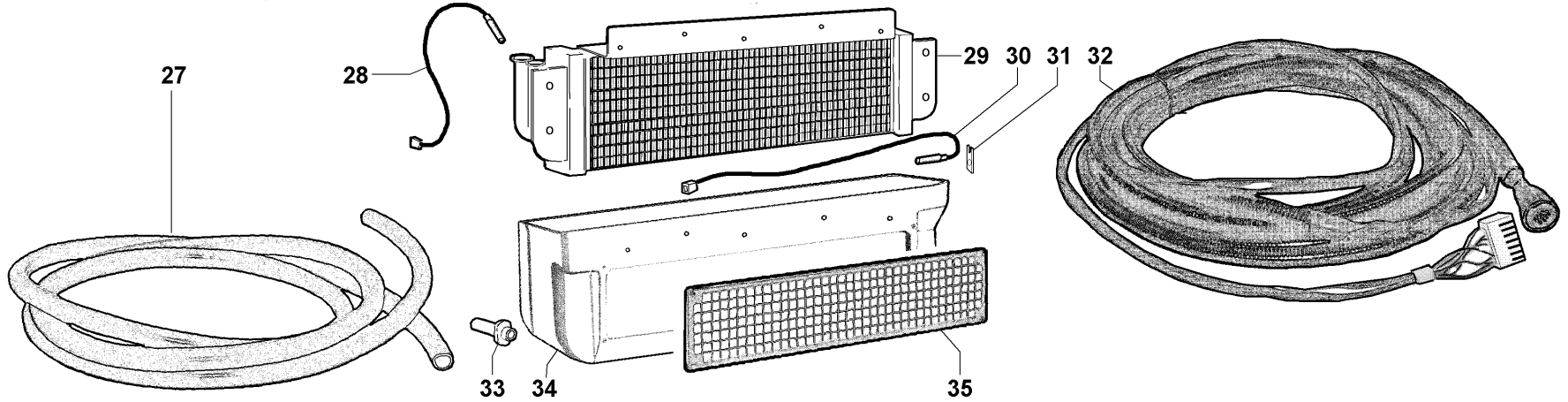
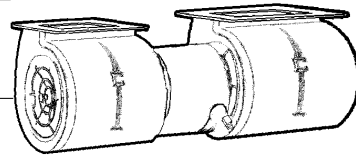
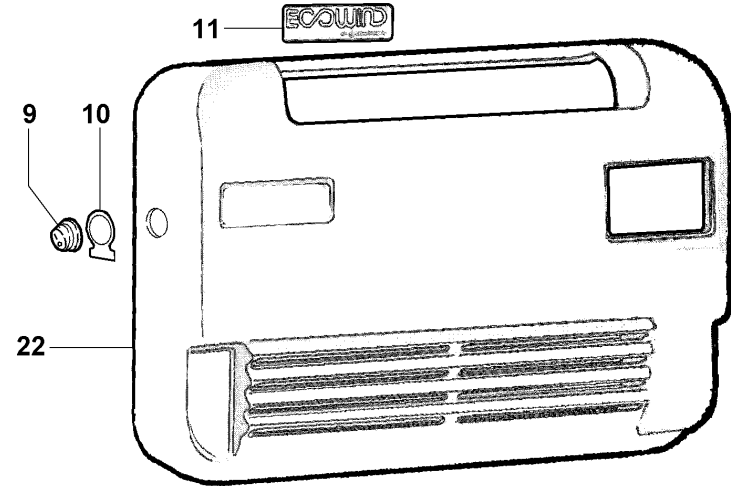
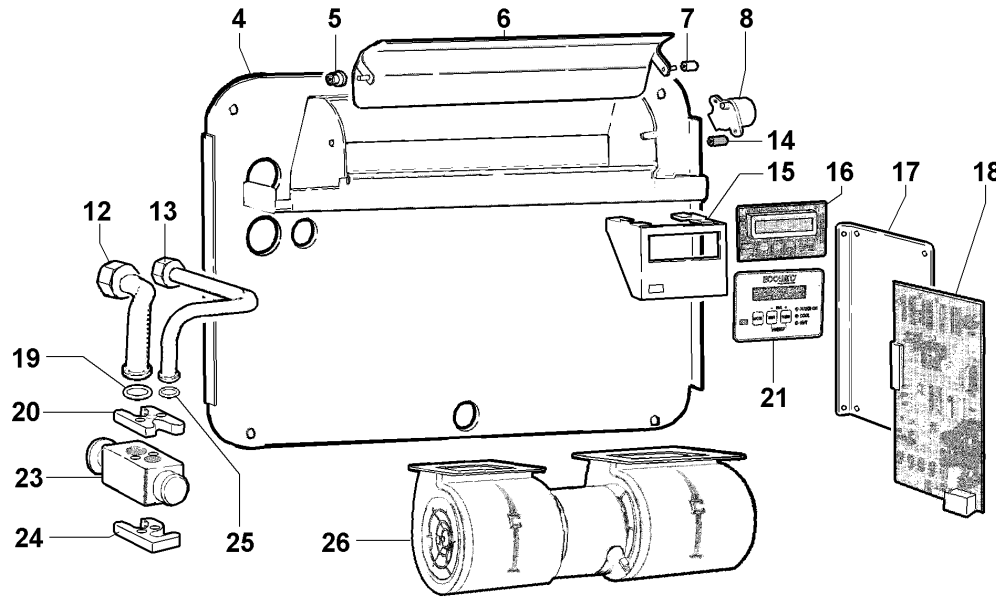
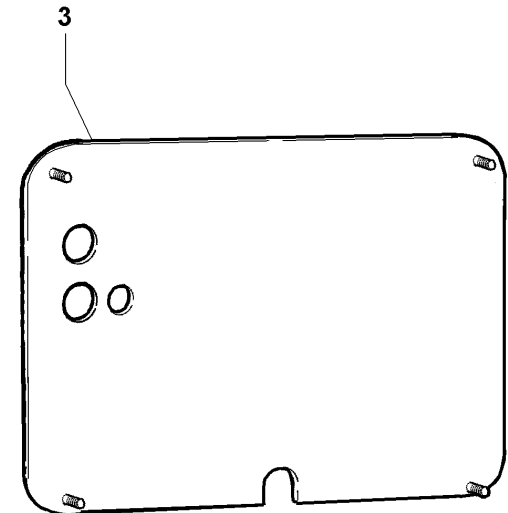
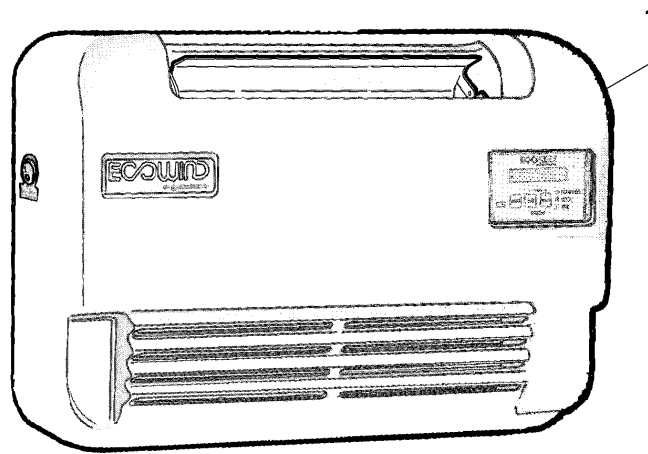
# S

15LD  
ECONOMY





# T 15LD ECOWIND



# U 15LD ECOWIND

