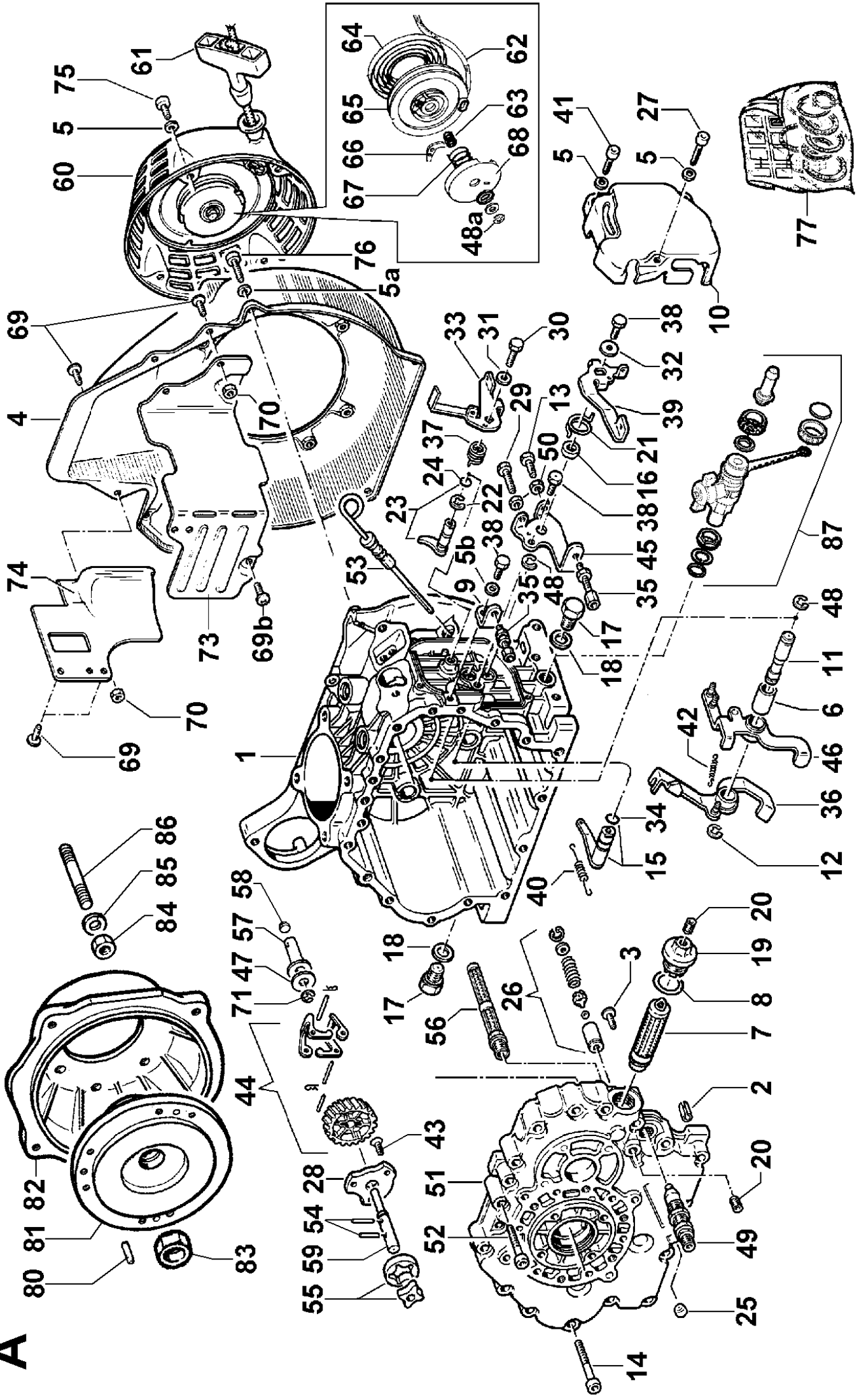
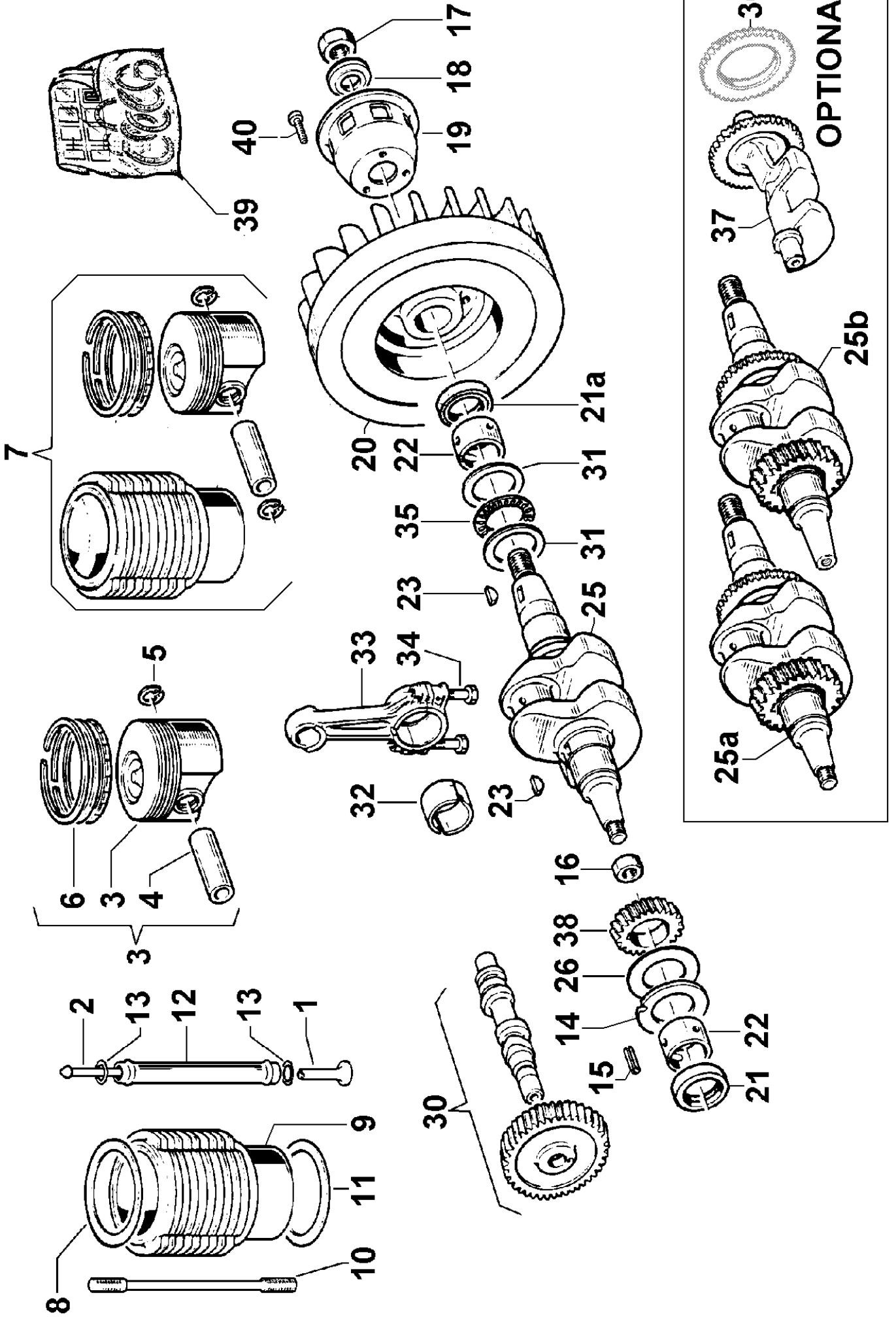


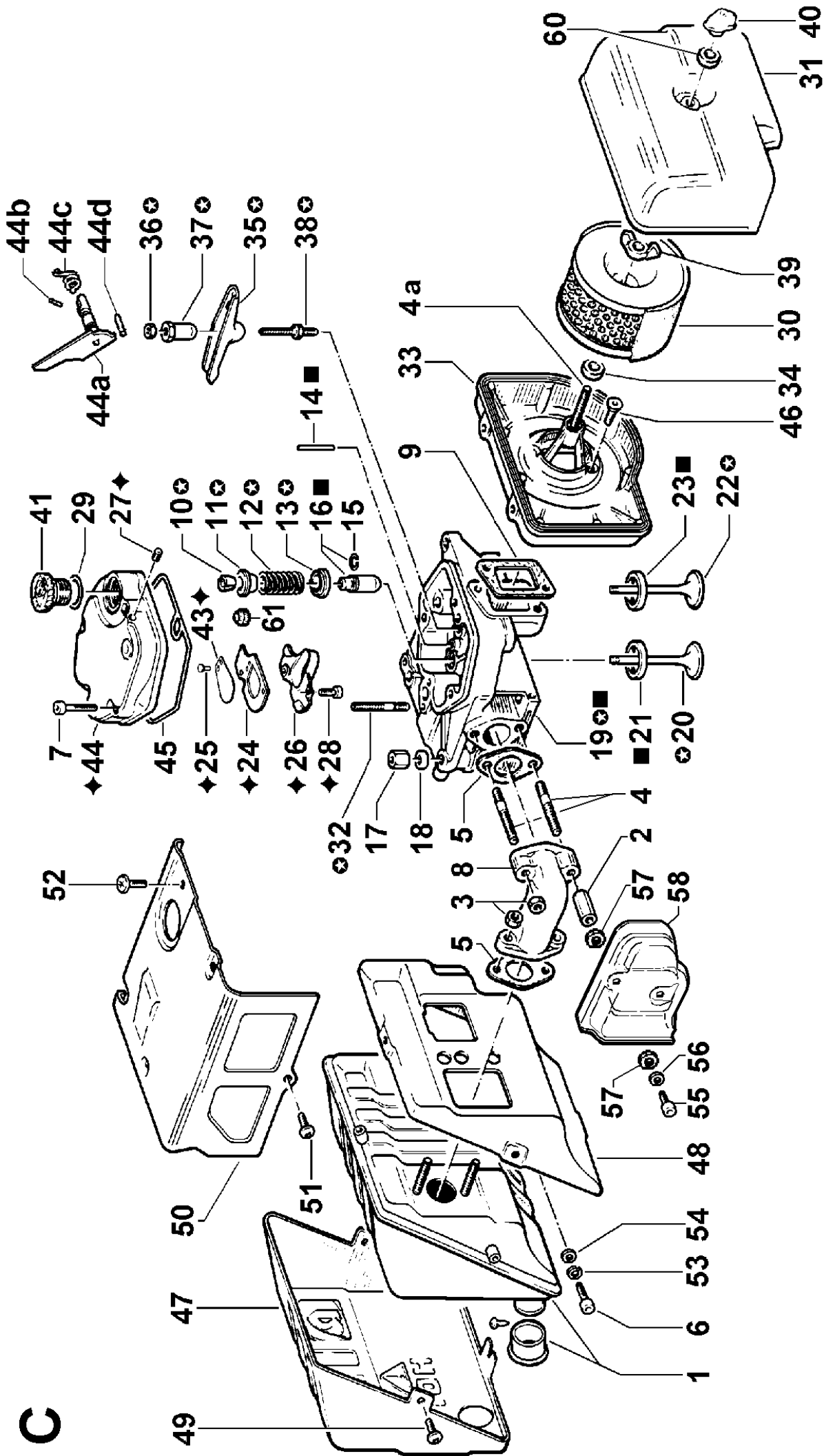
A



B

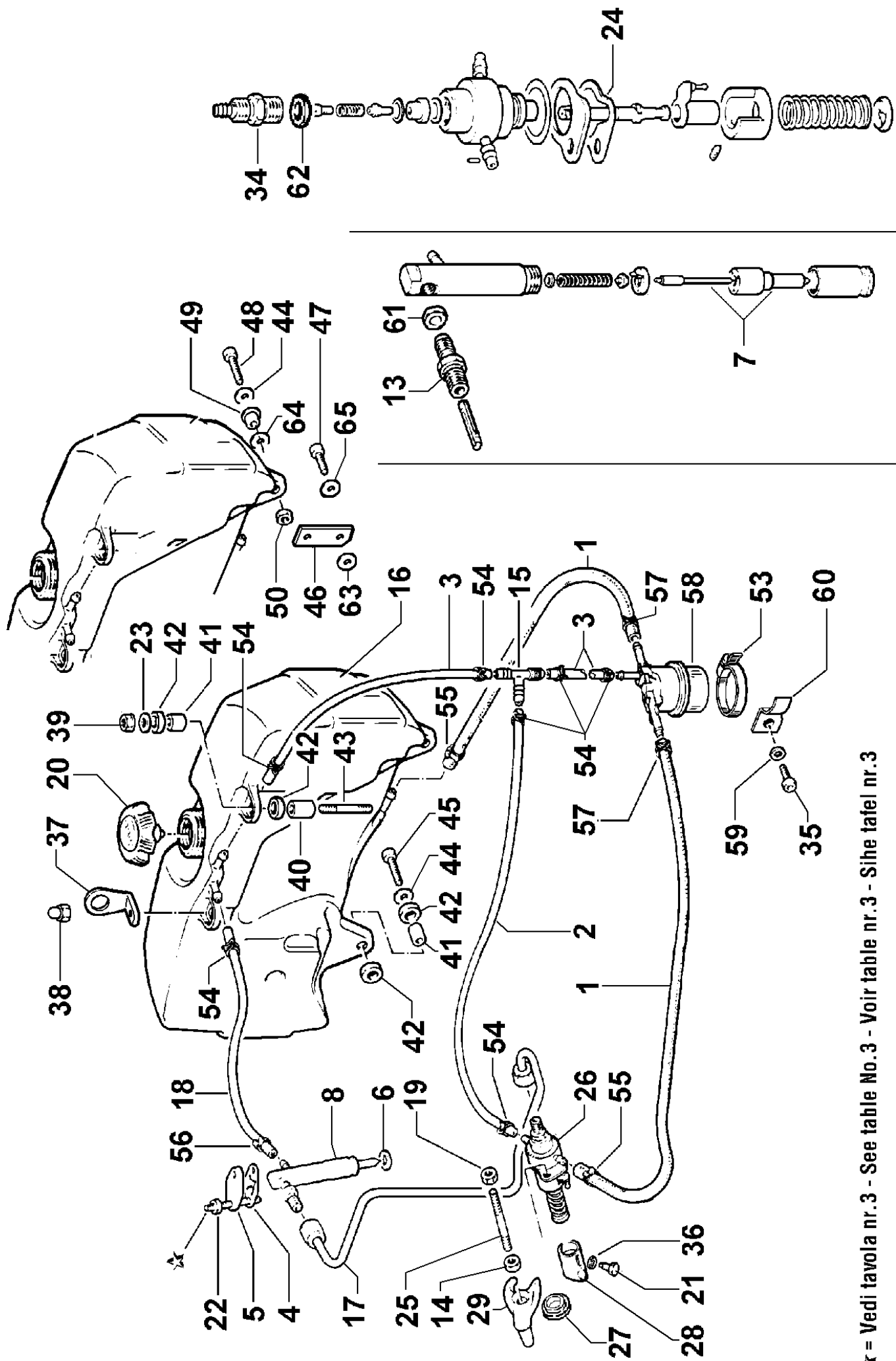


C



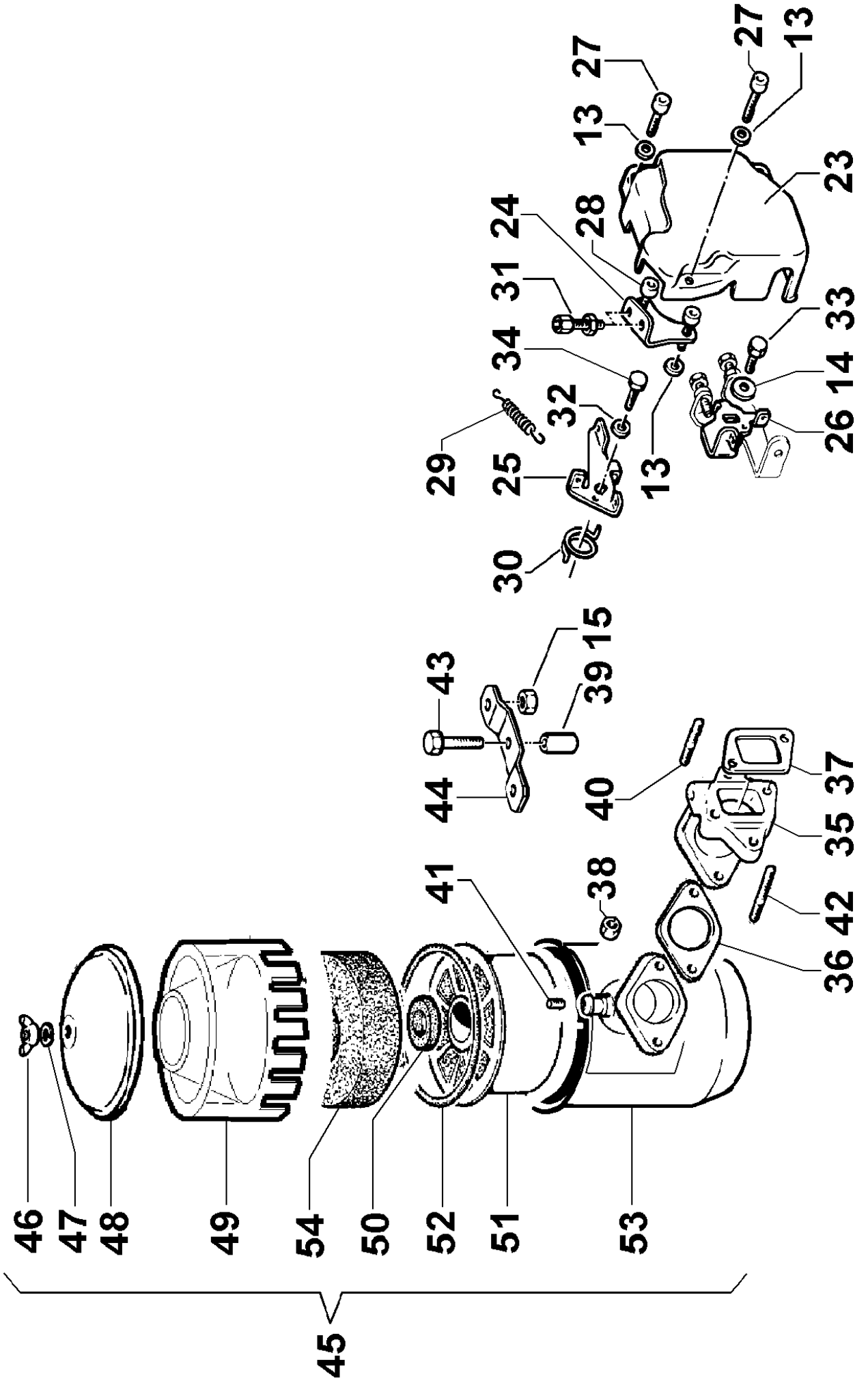
- TESTA COMPLETA - COMPLETE CYLINDER HEAD - CULASSE COMPLETE - ZYLINDERKOPF KOMPLETE
- ⊙ TESTA CON GUIDE - CYLINDER HEAD WITH GUIDES - CULASSE AVEC GUIDES - ZYLINDERKOPF MIT FÜHRUNG
- ◆ COPERCHIO BILANCIERI COMPLETO - COMPLETE COVER - COUVERCLE COMPLETE - DECKEL KOMPLETE

D

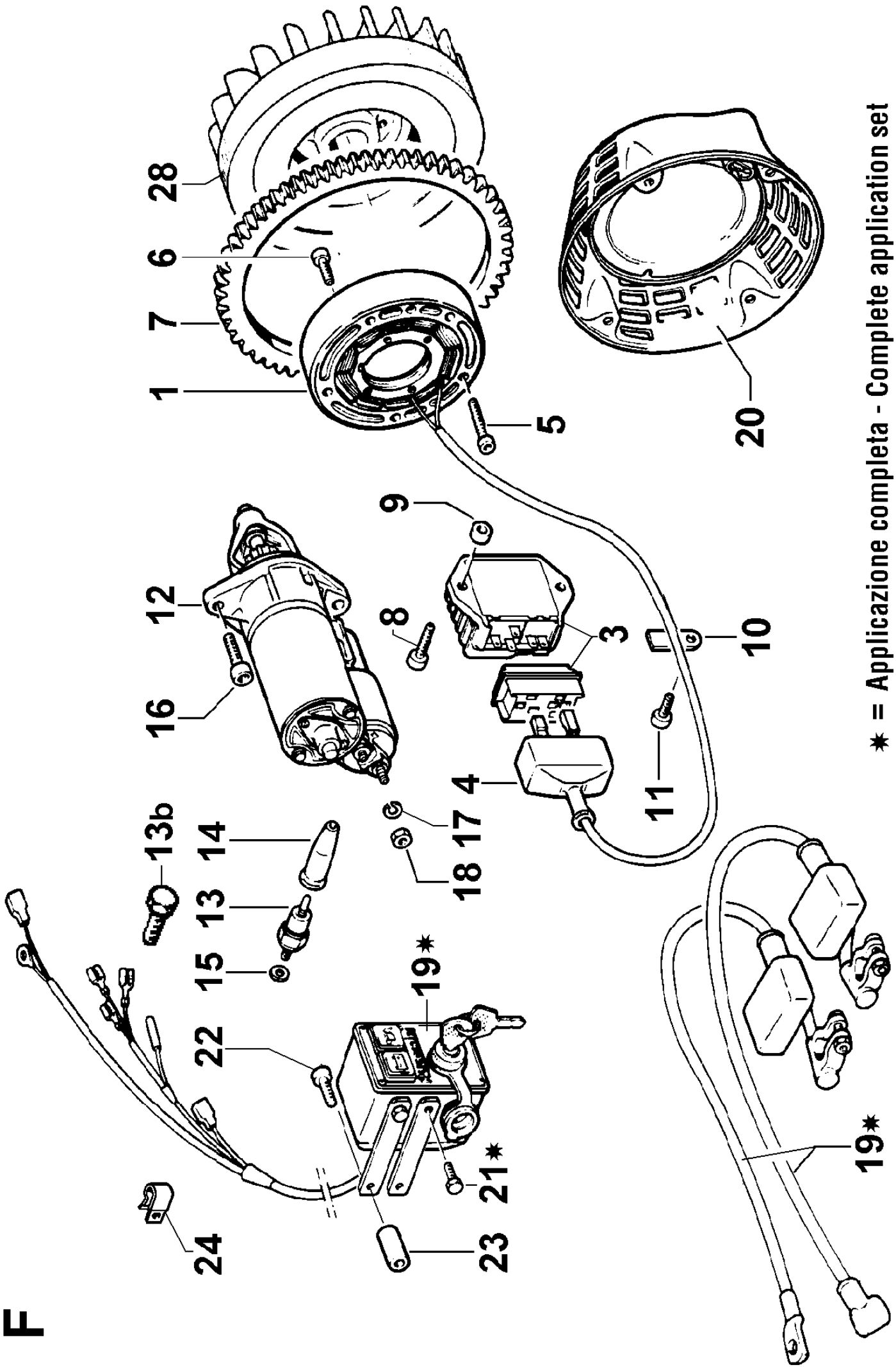


☆ = Vedi tavola nr.3 - See table No.3 - Voir table nr.3 - Sihe tabel nr.3

E



F



* = Applicazione completa - Complete application set
Application complete - Kit